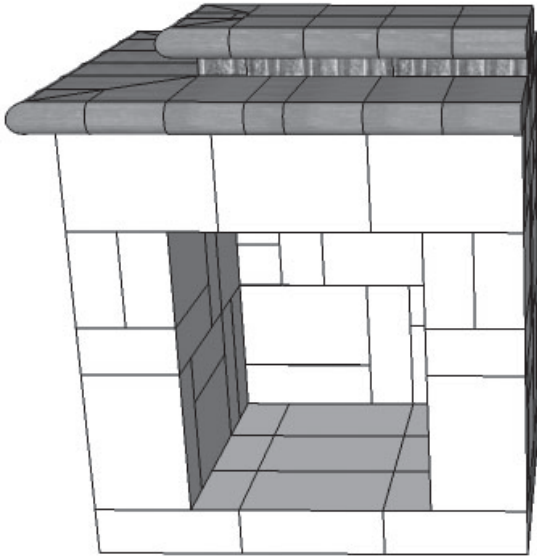


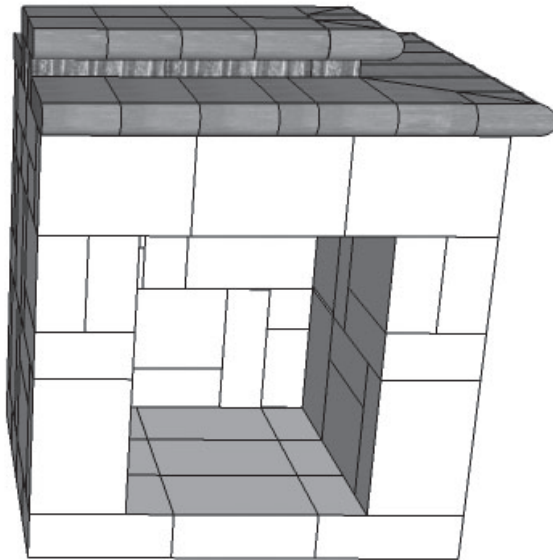
LEDGESTONE WOOD-BOX KIT ASSEMBLY GUIDE



LEFTSIDE

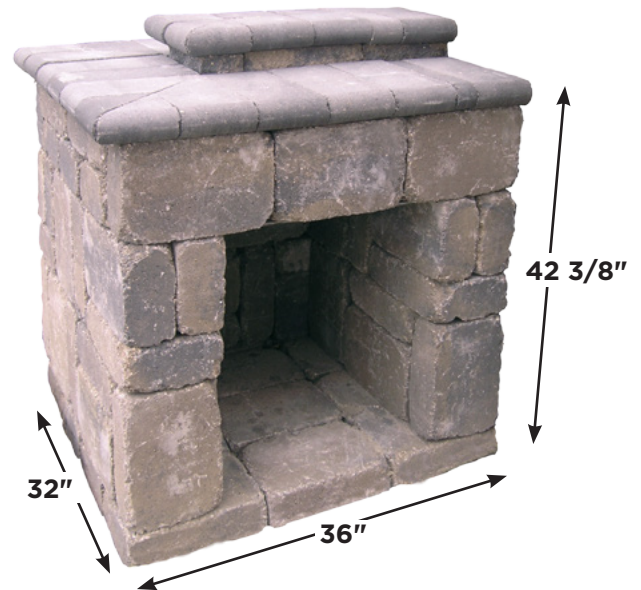


RIGHTSIDE



- **EASY TO FOLLOW ASSEMBLY INSTRUCTIONS**
- **MINIMAL CUTS REQUIRED**
- **LEDGESTONE UNITS AVAILABLE IN SIX COLORS**

The Willow Creek wood-box kit is the perfect complement to a Willow Creek outdoor fireplace. The wood box provides a convenient storage area that will keep your firewood organized and dry. Assembles in minutes. Designed to last a lifetime.



Material List

Kit Quantities include extra material to accommodate cuts.

Ledgestone Units 8"(w) x 4"(h) x 12"(d)

(Kit Quantity = 80) Pieces Used

Full Ledgestone Units	74
-----------------------	----

Split Face Units (2)	1
----------------------	---

Split Face Corner Units (2)	1
-----------------------------	---

TOTAL	76
-------	----

Bullnose

(Kit Quantity = 36) Pieces Used

Full Units	10
------------	----

Cut to approx. 6"(d)	8
----------------------	---

Cut to approx. 2"(w) (2)	1
--------------------------	---

2: 90 deg Corners	8
-------------------	---

2: B & C Corner Pieces	4
------------------------	---

TOTAL	31
-------	----

Other Materials

Adhesive	12
----------	----

Flat Steel 30"(w) x 1/4"(h) x 4"(d)	1
--	---

The information, including technical data, figures, tables, designs, drawings, details, suggested procedures and suggested specifications, presented in this publication is for general information only. While every effort has been made to ensure its accuracy, this information should not be used or relied upon for any application without verification of accuracy, suitability, and applicability for the use contemplated, which is the sole responsibility of the user. A final, project-specific design should be prepared by a qualified, licensed, professional based on actual site conditions. Willow Creek Concrete Products disclaims any and all express or implied warranties of merchantability fitness for any general or particular purpose, trademark or copyright in regard to information or products contained or referred to herein.

This assembly guide is intended for use only with the Willow Creek Paving Stones Wood Box Kit. Use with substitute products is strictly prohibited without prior written approval from Willow Creek Paving Stones.

Before You Begin:

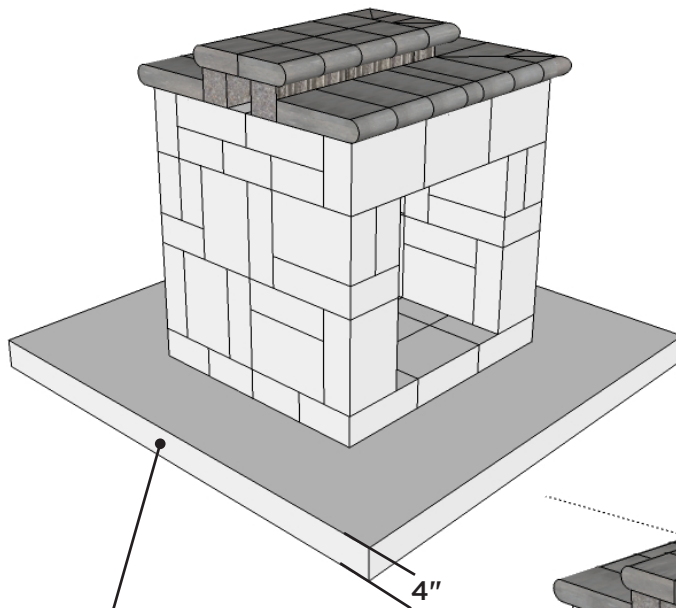
Before you plan your project, be sure to find out about zoning requirements in your area, along with rules for excavating and building. Whether your project is large or small, you should obtain all required permits before you begin your project.

Call 811 before you dig. Every digging job requires a call—even small projects like planting trees and shrubs. The depth of utility lines varies and there may be multiple utility lines in a common area. Digging without calling can disrupt service to an entire neighborhood, harm you and those around you and potentially result in fines and repair costs. Calling 811, a federally mandated call-before-you-dig number, before every digging job gets your underground utility lines marked for FREE and helps prevent undesired consequences.

All contents copyright ©2013 Willow Creek Concrete Products

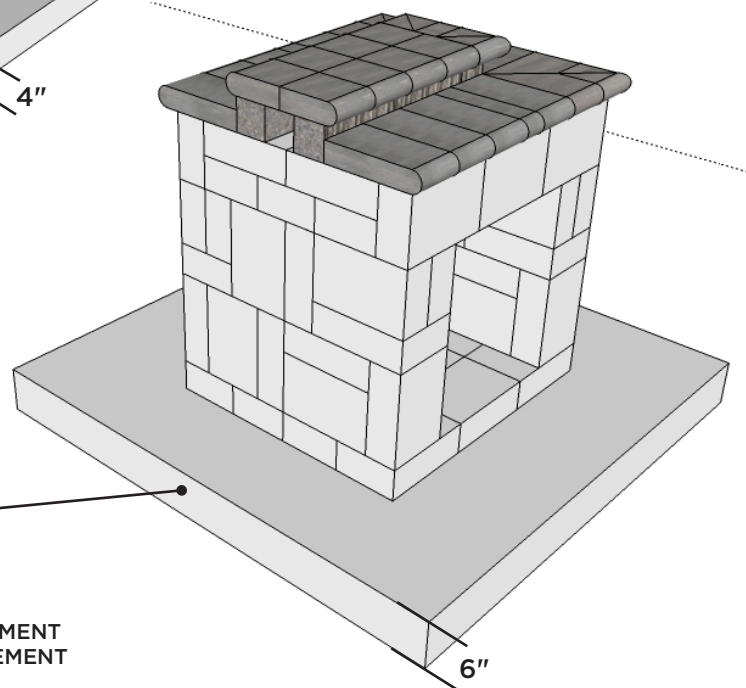


**Know what's below.
Call before you dig.**



POURED CONCRETE FOUNDATION

*MIN 4" (DEPTH) & REINFORCED
WITH #3 REBAR.

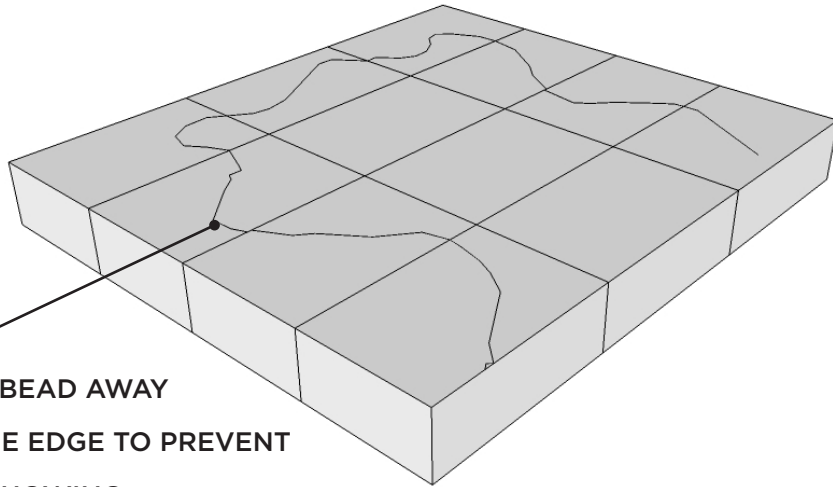


CRUSHED AGGREGATE FOUNDATION

*MIN 6" (DEPTH) COMPACTED TO
95% PROCTOR
*USE WILLOW CREEK UNDERLAYMENT
FABRIC FOR ADDED REINFORCEMENT

STEP 1

*** 12: FULL LEDGESTONE™ UNITS**

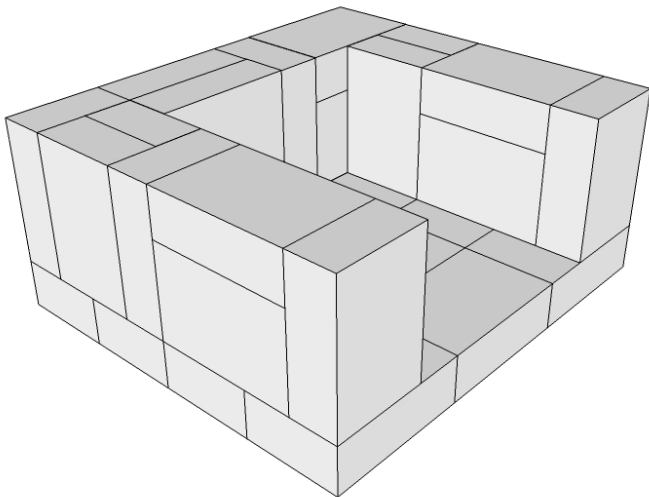


***APPLY ADHESIVE BEAD AWAY FROM THE OUTSIDE EDGE TO PREVENT ADHESIVE FROM SHOWING**

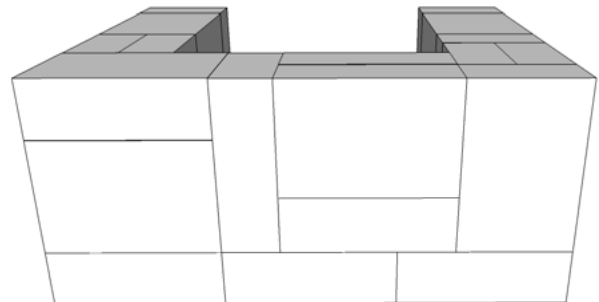
***NOTE: SWEEP DUST OFF UNIT BEFORE APPLYING ADHESIVE. USE ADHESIVE PROVIDED ON ALL LEDGESTONE UNITS AND COUNTER TOPS**

STEP 2

*** 21: FULL LEDGESTONE™ UNITS**
ASHLAR COURSE A

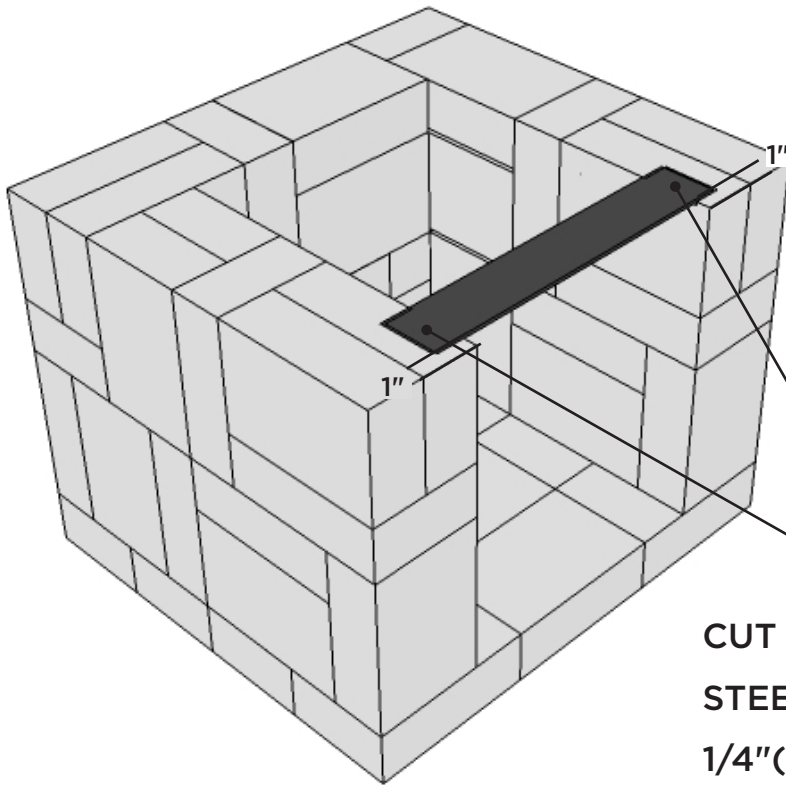


ASHLAR COURSE A REAR PROFILE



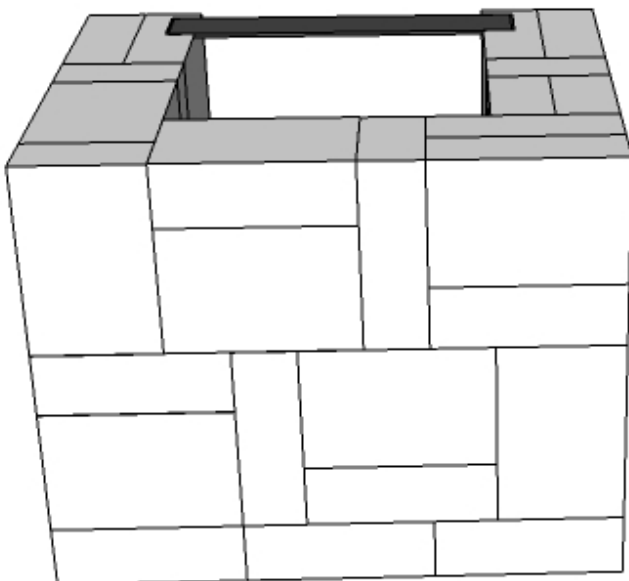
STEP 3

*** 21: FULL LEDGESTONE™ UNITS
ASHLAR COURSE B**



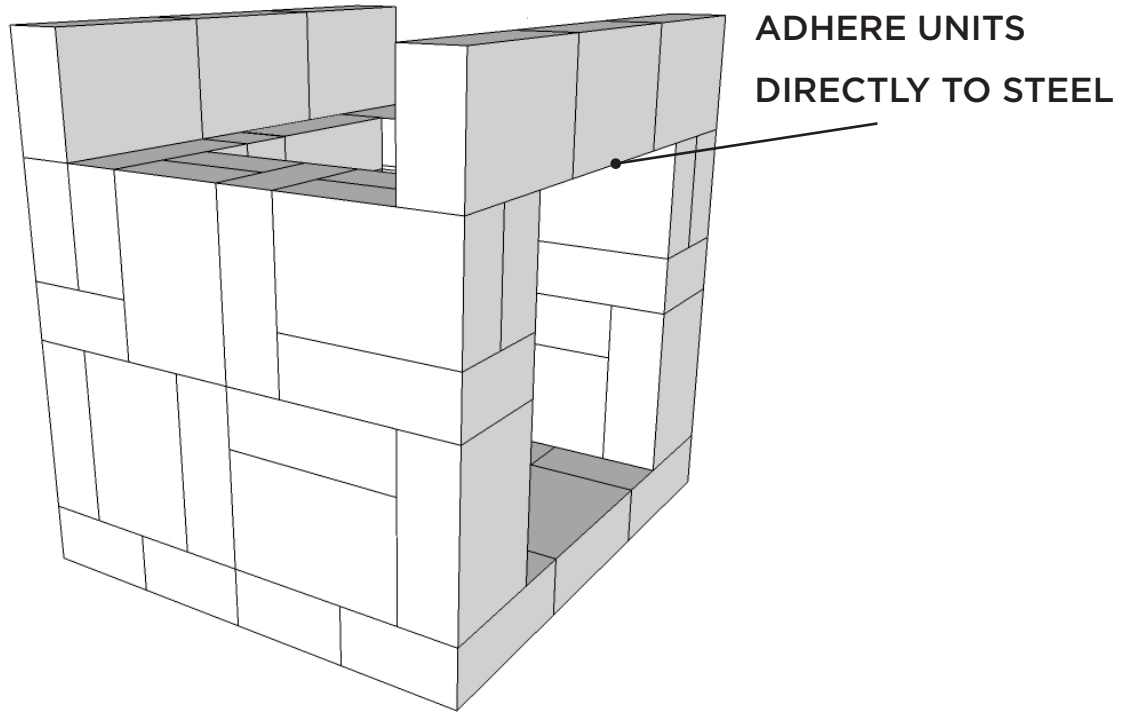
**CUT IN 4" X 30" X 1/4"
STEEL. DEPTH OF APPROX
1/4"(d) X 4"(w) KEEP 1"
FROM THE FACE**

ASHLAR COURSE B REAR PROFILE



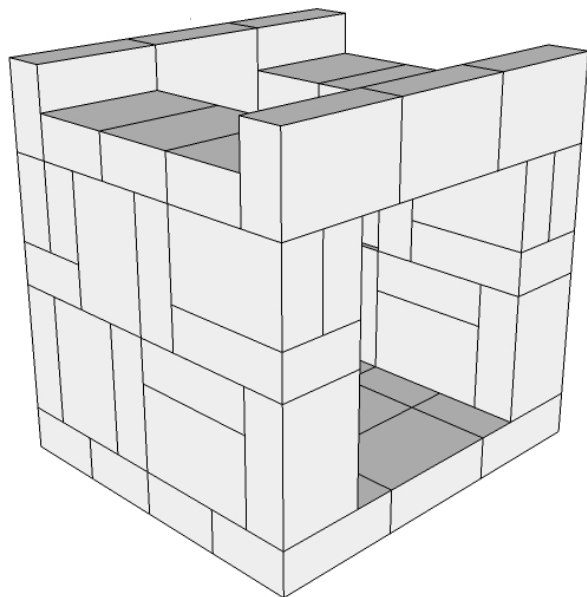
STEP 4

*** 6: FULL LEDGESTONE™ UNITS**



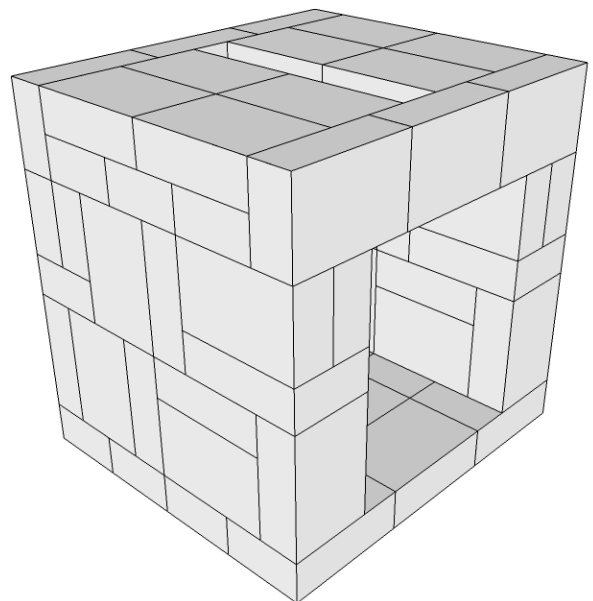
STEP 5

*** 6: FULL LEDGESTONE™ UNITS**



STEP 6

*** 8: FULL LEDGESTONE™ UNITS**

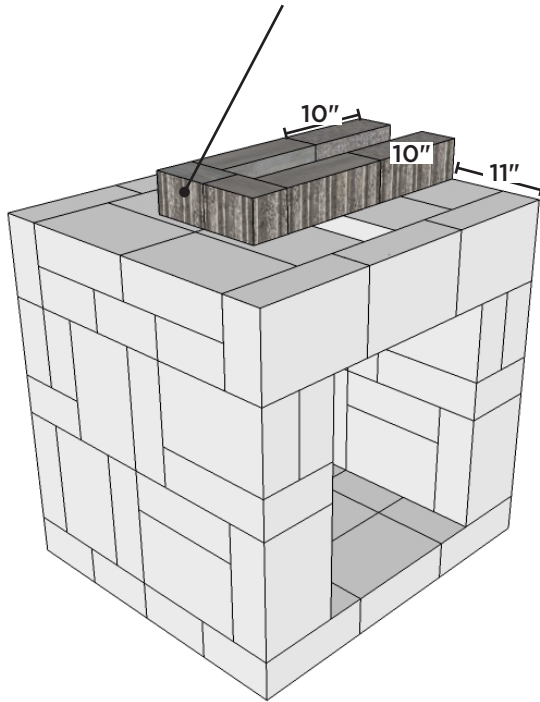


STEP 7

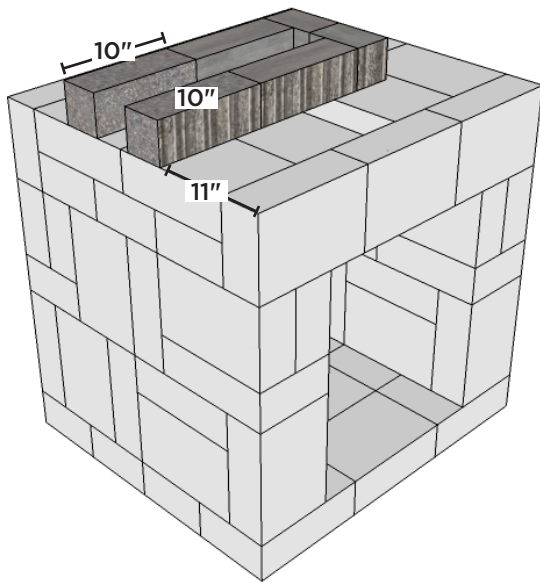
***2: SPLIT FACE LEDGESTONE™ UNITS**

2: SPLIT FACE LEDGESTONE™ UNITS CUT TO APPROX. 10"(d)

2: SPLIT FACE LEDGESTONE™ UNITS CORNER PIECES



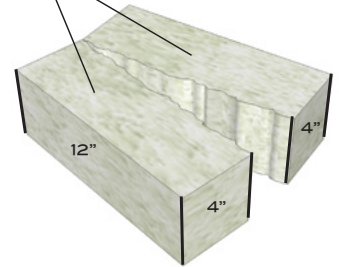
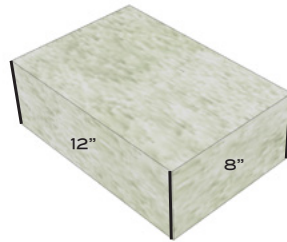
LEFT SIDE LAYOUT



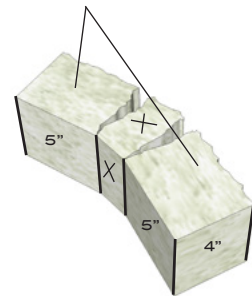
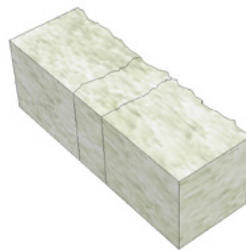
RIGHT SIDE LAYOUT

SPLIT-FACE LEDGESTONE™ DETAIL

*** 1 FULL LEDGESTONE™ =
(2 SPLIT-FACE LEDGESTONE™)**



*** 1 SPLIT-FACE LEDGESTONE™ =
(2 SPLIT-FACE CORNER PIECES)**

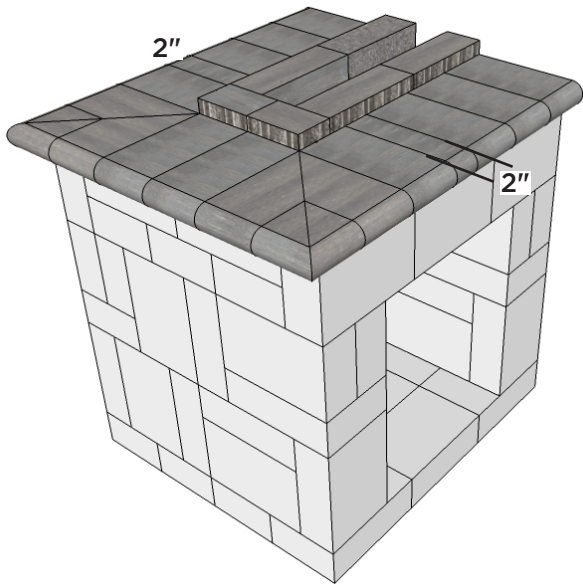


STEP 8

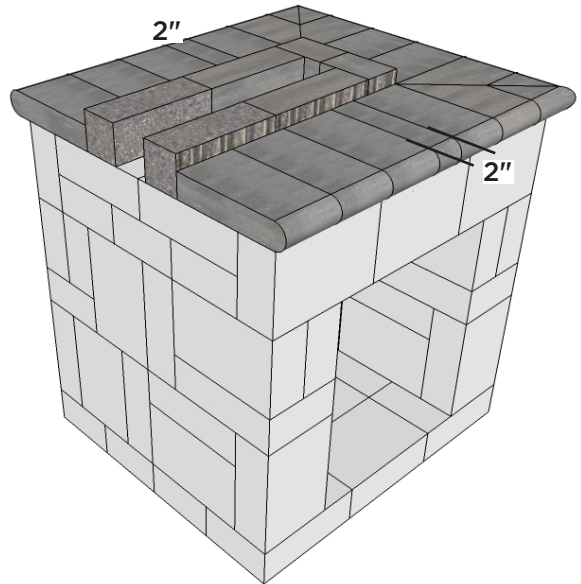
***10: BULLNOSE UNITS**

2: BULLNOSE UNITS CUT TO APPROX. 2"(w)

2: BULLNOSE UNITS 90 DEG. CORNER ASSEMBLIES

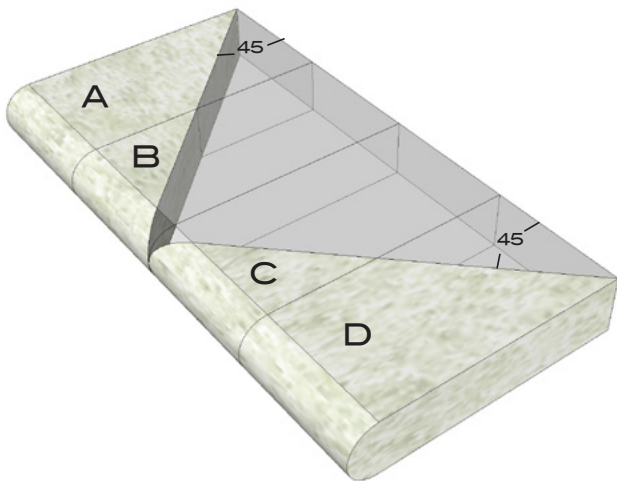


LEFT SIDE LAYOUT

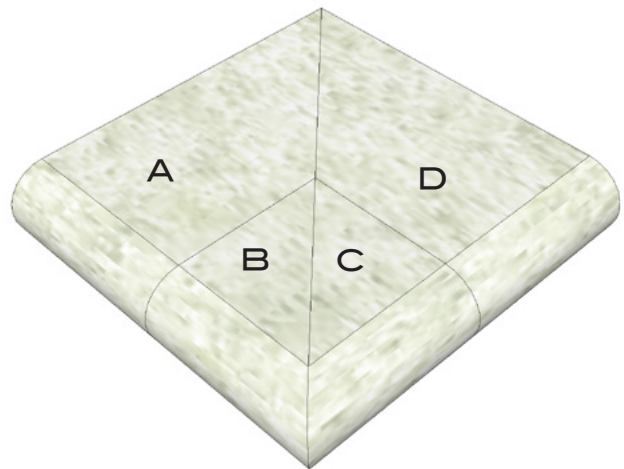


RIGHT SIDE LAYOUT

BULLNOSE 90 DEGREE CORNER DETAIL



*** HELPFUL HINT: CUT AND ADHERE BULLNOSE CORNERS IN ADVANCE FOR EASIER ASSEMBLY.**



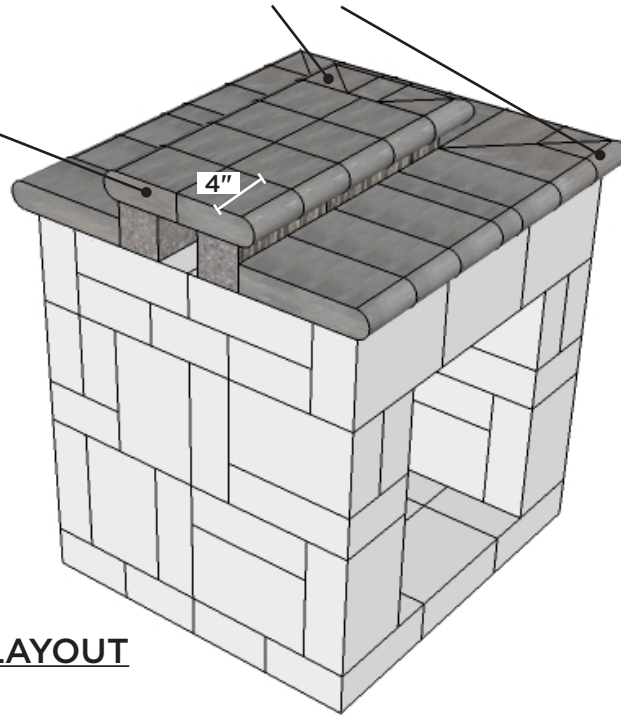
*** 4 FULL BULLNOSE**

STEP 8

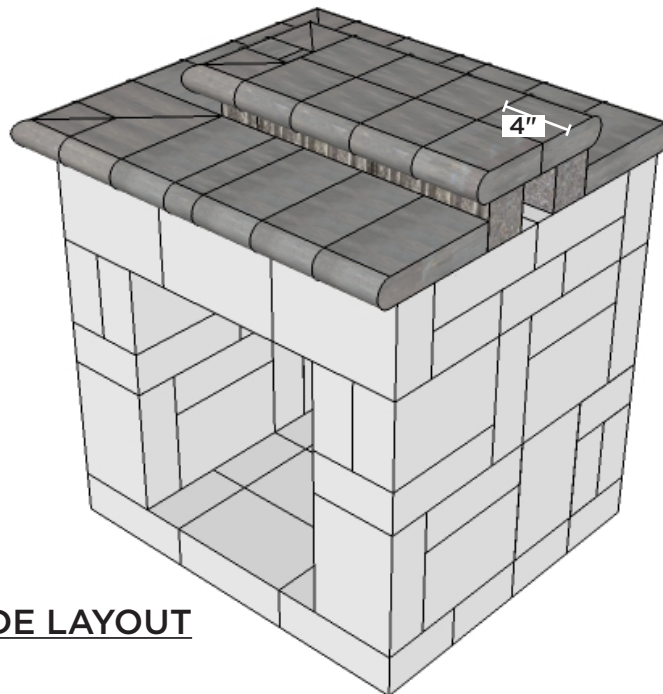
***6: BULLNOSE UNITS CUT TO APPROX. 6"(d)**

2: BULLNOSE UNITS CUT TO APPROX. 6"(d) x APPROX. 4"(w)

2: BULLNOSE PIECES B & C FROM 90 DEG DETAIL



RIGHT SIDE LAYOUT



LEFT SIDE LAYOUT



*Willow Creek*TM
Paving Stones